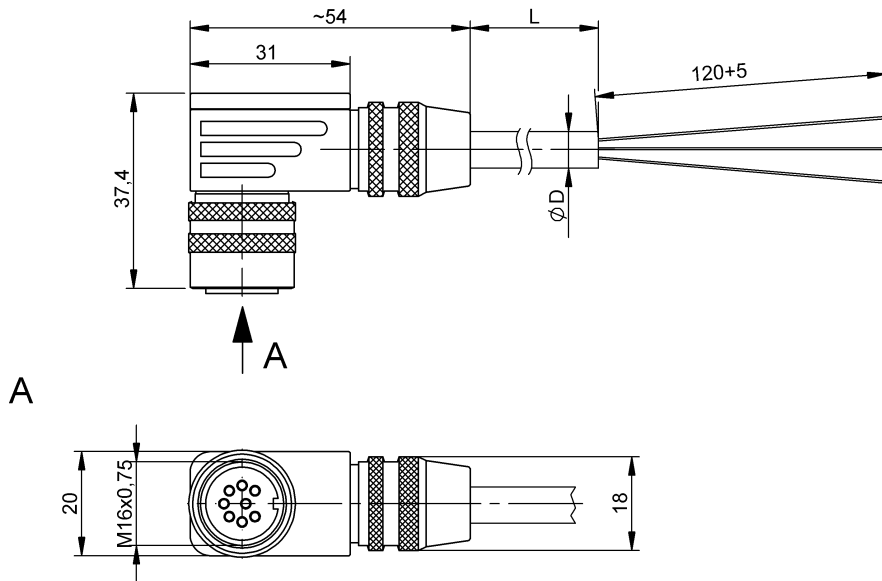


Single-Ended Cordsets  
**BKS-S 33M-05**  
 Order Code: BCC00UU

**BALLUFF**



**Basic features**

Approval/Conformity	CE UKCA WEEE
---------------------	--------------------

**Electrical connection**

Bending radius min., fixed cable	5 x D
Bending radius min., flexible cable	15 x D
Cable	PUR Shielded black, 5 m, drag chain compatible
Cable diameter D	6.70 mm ±0.30 mm
Conductor cross-section	0.25 mm <sup>2</sup>
Connection	M16x0.75-Female, angled, 8-pin
Connector configuration	right-angle
Number of conductors	8
Number of pins	8
System	assembled

**Electrical data**

Conductor construction	4x2 twisted-pair
Operating voltage Ub	60 VDC / 60 VAC
Rated current (40 °C)	5.0 A
Stranding	pairs

**Environmental conditions**

Cable temperature UL max., fixed routing	80 °C
Cable temperature UL max., flexible routing	80 °C
Cable temperature, drag chain	-5...60 °C
Cable temperature, fixed routing	-40...90 °C
Cable temperature, flexible routing	-5...90 °C
IP rating	IP67

**Material**

Cable jacket material, note	Shielded
Cable jacket, material	PUR
Cable shield	Copper braid, tin-plated
Material contact carrier	PBT
Material contacts	Bronze
Material cover nut	Brass
Material grip	Die-cast zinc

**Mechanical data**

Acceleration max., drag chain	5 m/s <sup>2</sup>
Cable jacket, color	black
Cable length L	5.00 m
Cable properties	drag chain compatible
Horizontal travel permitted, drag chain	10 m
Tightening torque pigtail	0.6 Nm
Traverse speed max., drag chain	4.5 m/s

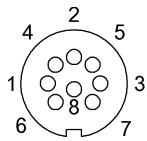
Single-Ended Cordsets  
**BKS-S 33M-05**  
Order Code: BCC00UU



Remarks

Cable construction acc. to UL-AWM Style 20549  
Halogen-free per DIN VDE 0472 Part 815  
Flame resistance acc. to IEC 60332-1  
Flame resistance per UL FT2  
Oil resistant per DIN VDE 0472 Part 803  
Tin plated copper braiding, optical coverage min. 85%  
Enclosure rating per IEC 60529, only in screwed state with the associated mating piece.

Connector Drawings



- PIN 1: yellow
- PIN 2: gray
- PIN 3: pink
- PIN 4: red
- PIN 5: green
- PIN 6: blue
- PIN 7: brown
- PIN 8: white

Wiring Diagrams

